



VIVA SERIES

offmax®

VIVA SERIES

Versatility is superiority, VIVA offers endless possibility in combination, where it is on colours, screening elements, storage configuration, alignment or usage, helps to create an interactive yet semi-private area to work efficiently while fostering communication.

靈活百變就能佔先引領，VIVA帶給你的不止於顏色、間隔、儲物方式、組合以至使用模式上的可能，而是一個互動中帶私隱，促進效率而又保持交流的工作環境。



Flexibility to change, to adopt and to connect. Hanging desk front screen, desktop storage unit or under desk storage element, modify your VIVA for personality and practicality.

改變、迎合、連結，枱前吊掛式屏風，桌上多功能儲物架，或是枱底儲物組件，富彈性的選擇令你的 VIVA 更有個性，更貼心實用。






By adding a desktop storage unit with tackable screen and a side screen in frosted plastic, VIVA make it easy to create a semi-privacy area to work efficiently without completely cutting off communication.

桌上儲物架連可釘小桌屏，加上磨砂塑膠側屏的組合，形成一個半私人空間，增加工作效率，同時不會斷絕交流。



Design makes the difference. By changing add-on elements to your desirable matching, VIVA brings more dynamic and show a voguish image in your workplace.

設計決定優劣。VIVA透過改變添置的配件，組合出你夢寐以求的配套，為工作間帶來時尚與活力。




The exquisite nature of VIVA reveals decency of your work desk, mirroring the dominance as a top executive.

VIVA 本質精美考究，表現出辦公桌的高雅，反映出高級行政人員的領導地位。



Avail yourself of the functional and decorative features from VIVA to build your own style.

善用VIVA工作枱的功能與裝飾特點，建構你的風格。



VIVA features versatile colour choice on desktop, leg frame, decorative leg strip, and even on the cabinet. Vibrancy of colors adds character to your desk and helps to reflect your identity.

枱面板、腳架、腳邊裝飾條、以至儲物櫃桶，VIVA運用賞心悅目的顏色及優雅的配置，襯托出表現個性、獨一無二的辦公桌。



Structural simplicity allows VIVA to form a work bench that is visually clean and functionally effective, making it an irresistible choice for open plan office.

結構簡約的VIVA長方形工作枱外觀簡潔、功能高效，成為開放式辦公室難以抗拒的選擇。



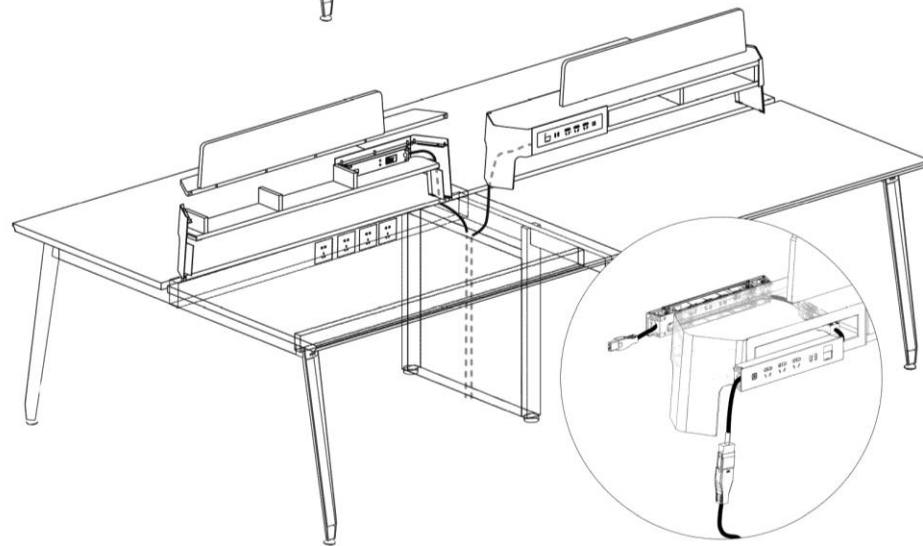
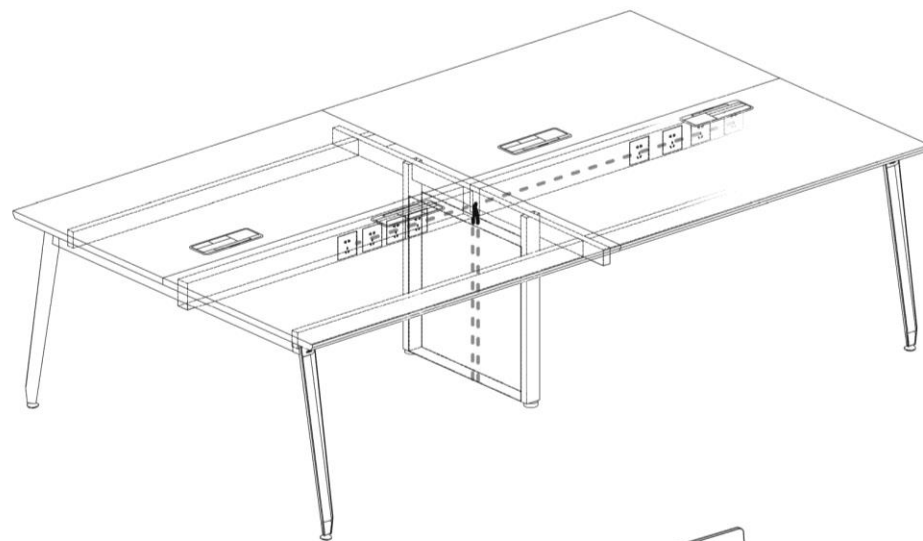
Universal configuration enables VIVA to utilize the same structure for diversified purpose.

通用的組合方式令VIVA可用相同的核心結構去切合多樣的使用需要。

CABLE MANAGEMENT

Design would become empty if it doesn't come with practical function. VIVA offers a complete and concealed cable management so that wirings can be arranged and hid in a professional manner.

缺乏實際用途的設計只是空洞如無物。VIVA帶來的是完備的內藏式走線系統，以專業的手法讓線材整理收藏於無形。



FUNCTIONAL DESKTOP PANEL

AIRY desktop element is a perfect supplement for VIVA. The versatile nature of AIRY provides flexibility to users by offering open shelf, stationery drawer or power socket module to cater differences on individual preference.

AIRY 桌上多功能儲物架是 VIVA 的最佳伙伴。配置靈活的 AIRY 為用家提供使用上的彈性，無論選用空格、文具抽屜還是電源插座，均能切合每人的個別喜好習慣。



4 OPEN SHELVES



4 DRAWERS



3 OPEN SHELVES WITH 1 SOCKET PANEL



3 OPEN SHELVES



2 OPEN SHELVES WITH 1 SOCKET PANEL



2 DRAWERS WITH 1 SOCKET PANEL



2 OPEN SHELVES



2 DRAWERS

AIRY ACCESSORIES

AIRY features an array of accessory tools such as pen holder, stationery tray, paper tray, book tray, file tray or removable metal screen or plastic dividing screen. A well-organized personal space can improve individuality and productivity to a large extent.

AIRY 配備多元的辦公小工具如筆筒、文具盤、紙盤、書架、文件架以至活動式鋼制分隔板及塑料桌側屏，成就出一個井井有條而具個性的空間，讓使用者更獨立，同時使工作更有效率。



PEN HOLDER AND STATIONERY TRAY



SMALL HANGER AND PHONE HOLDER



BOOK TRAY



SINGLE PAPER TRAY



DOUBLE LAYERS FILE TRAY



SIDE PANEL IN METAL



SIDE PANEL IN ACRYLIC

WORKSTATION STORAGE

By adding a hanging tower case cabinet, a small drawer under your desk, or mobile storage unit to put your own belongings, AIRY enables you to experience personalized convenience and a sense of warmth.

添加吊掛式電腦機箱櫃或小型吊抽於桌下，又或是使用活動式儲物小櫃擺放個人小物品，AIRY給你的是便捷和一絲的暖意。



HANGING CABINET



HANGING DRAWER



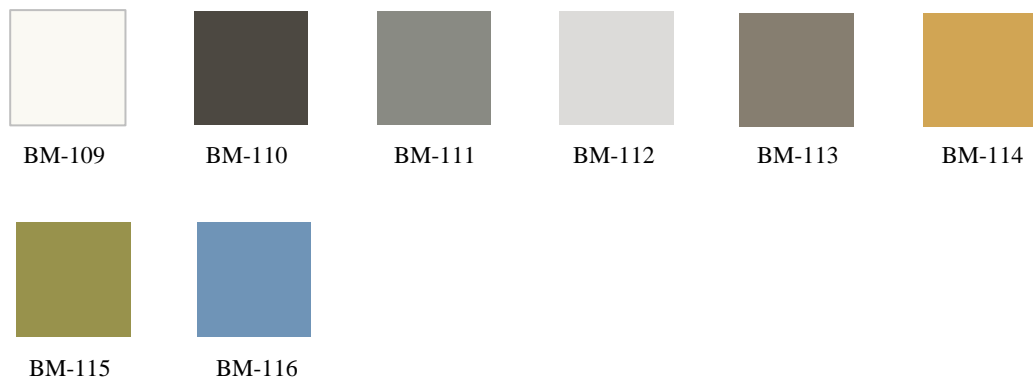
2 DRAWERS MOBILE PEDESTAL



SINGLE DRAWERS MOBILE PEDESTAL

MATERIAL

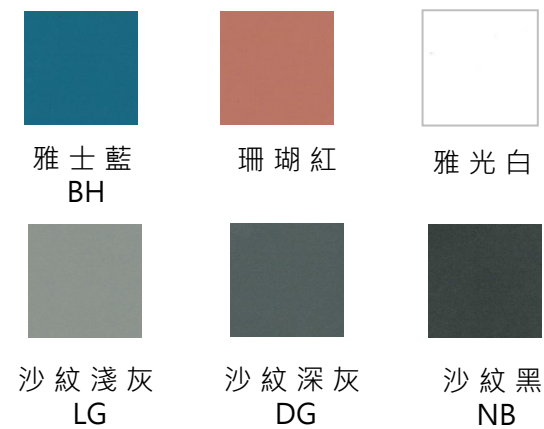
純色 Pure Color (MFC)



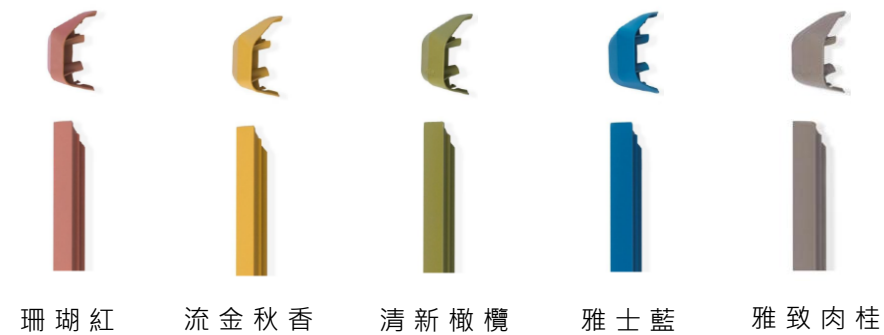
木紋 Wood Grain (MFC)



鋼腳 Steel Leg



裝飾條 Decor Strip



SINGLE FACE MAIN UNIT

- VV-SFM-12060 (1200W x 600D x 750Hmm)
- VV-SFM-13060 (1300W x 600D x 750hmm)
- VV-SFM-14060 (1400W x 600D x 750Hmm)
- VV-SFM-15060 (1500W x 600D x 750Hmm)
- VV-SFM-16060 (1600W x 600D x 750Hmm)
- VV-SFM-18060 (1800W x 600D x 750Hmm)

- VV-SFM-12070 (1200W x 700D x 750Hmm)
- VV-SFM-13070 (1300W x 700D x 750hmm)
- VV-SFM-14070 (1400W x 700D x 750Hmm)
- VV-SFM-15070 (1500W x 700D x 750Hmm)
- VV-SFM-16070 (1600W x 700D x 750Hmm)
- VV-SFM-18070 (1800W x 700D x 750Hmm)

- VV-SFM-12075 (1200W x 750D x 750Hmm)
- VV-SFM-13075 (1300W x 750D x 750hmm)
- VV-SFM-14075 (1400W x 750D x 750Hmm)
- VV-SFM-15075 (1500W x 750D x 750Hmm)
- VV-SFM-16075 (1600W x 750D x 750Hmm)
- VV-SFM-18075 (1800W x 750D x 750Hmm)

- VV-SFM-12080 (1200W x 800D x 750Hmm)
- VV-SFM-13080 (1300W x 800D x 750hmm)
- VV-SFM-14080 (1400W x 800D x 750Hmm)
- VV-SFM-15080 (1500W x 800D x 750Hmm)
- VV-SFM-16080 (1600W x 800D x 750Hmm)
- VV-SFM-18080 (1800W x 800D x 750Hmm)

- VV-SFM-12090 (1200W x 900D x 750Hmm)
- VV-SFM-13090 (1300W x 900D x 750hmm)
- VV-SFM-14090 (1400W x 900D x 750Hmm)
- VV-SFM-15090 (1500W x 900D x 750Hmm)
- VV-SFM-16090 (1600W x 900D x 750Hmm)
- VV-SFM-18090 (1800W x 900D x 750Hmm)



SINGLE FACE CONNECTING UNIT

- VV-SFC-12060 (1200W x 600D x 750Hmm)
- VV-SFC-13060 (1300W x 600D x 750hmm)
- VV-SFC-14060 (1400W x 600D x 750Hmm)
- VV-SFC-15060 (1500W x 600D x 750Hmm)
- VV-SFC-16060 (1600W x 600D x 750Hmm)
- VV-SFC-18060 (1800W x 600D x 750Hmm)

- VV-SFC-12070 (1200W x 700D x 750Hmm)
- VV-SFC-13070 (1300W x 700D x 750hmm)
- VV-SFC-14070 (1400W x 700D x 750Hmm)
- VV-SFC-15070 (1500W x 700D x 750Hmm)
- VV-SFC-16070 (1600W x 700D x 750Hmm)
- VV-SFC-18070 (1800W x 700D x 750Hmm)

- VV-SFC-12075 (1200W x 750D x 750Hmm)
- VV-SFC-13075 (1300W x 750D x 750hmm)
- VV-SFC-14075 (1400W x 750D x 750Hmm)
- VV-SFC-15075 (1500W x 750D x 750Hmm)
- VV-SFC-16075 (1600W x 750D x 750Hmm)
- VV-SFC-18075 (1800W x 750D x 750Hmm)

- VV-SFC-12080 (1200W x 800D x 750Hmm)
- VV-SFC-13080 (1300W x 800D x 750hmm)
- VV-SFC-14080 (1400W x 800D x 750Hmm)
- VV-SFC-15080 (1500W x 800D x 750Hmm)
- VV-SFC-16080 (1600W x 800D x 750Hmm)
- VV-SFC-18080 (1800W x 800D x 750Hmm)

- VV-SFC-12090 (1200W x 900D x 750Hmm)
- VV-SFC-13090 (1300W x 900D x 750hmm)
- VV-SFC-14090 (1400W x 900D x 750Hmm)
- VV-SFC-15090 (1500W x 900D x 750Hmm)
- VV-SFC-16090 (1600W x 900D x 750Hmm)
- VV-SFC-18090 (1800W x 900D x 750Hmm)



DOUBLE FACE MAIN UNIT

- VV-DFM-1212 (1200W x 1200D x 750Hmm)
- VV-DFM-1312 (1300W x 1200D x 750Hmm)
- VV-DFM-1412 (1400W x 1200D x 750Hmm)
- VV-DFM-1512 (1500W x 1200D x 750Hmm)
- VV-DFM-1612 (1600W x 1200D x 750Hmm)
- VV-DFM-1812 (1800W x 1200D x 750Hmm)

- VV-DFM-1214 (1200W x 1400D x 750Hmm)
- VV-DFM-1314 (1300W x 1400D x 750Hmm)
- VV-DFM-1414 (1400W x 1400D x 750Hmm)
- VV-DFM-1514 (1500W x 1400D x 750Hmm)
- VV-DFM-1614 (1600W x 1400D x 750Hmm)
- VV-DFM-1814 (1800W x 1400D x 750Hmm)

- VV-DFM-1215 (1200W x 1500D x 750Hmm)
- VV-DFM-1315 (1300W x 1500D x 750Hmm)
- VV-DFM-1415 (1400W x 1500D x 750Hmm)
- VV-DFM-1515 (1500W x 1500D x 750Hmm)
- VV-DFM-1615 (1600W x 1500D x 750Hmm)
- VV-DFM-1815 (1800W x 1500D x 750Hmm)

- VV-DFM-1216 (1200W x 1600D x 750Hmm)
- VV-DFM-1316 (1300W x 1600D x 750Hmm)
- VV-DFM-1416 (1400W x 1600D x 750Hmm)
- VV-DFM-1516 (1500W x 1600D x 750Hmm)
- VV-DFM-1616 (1600W x 1600D x 750Hmm)
- VV-DFM-1816 (1800W x 1600D x 750Hmm)



DOUBLE FACE CONNECTING UNIT

- VV-DFC-1212 (1200W x 1200D x 750Hmm)
- VV-DFC-1312 (1300W x 1200D x 750Hmm)
- VV-DFC-1412 (1400W x 1200D x 750Hmm)
- VV-DFC-1512 (1500W x 1200D x 750Hmm)
- VV-DFC-1612 (1600W x 1200D x 750Hmm)
- VV-DFC-1812 (1800W x 1200D x 750Hmm)

- VV-DFC-1214 (1200W x 1400D x 750Hmm)
- VV-DFC-1314 (1300W x 1400D x 750Hmm)
- VV-DFC-1414 (1400W x 1400D x 750Hmm)
- VV-DFC-1514 (1500W x 1400D x 750Hmm)
- VV-DFC-1614 (1600W x 1400D x 750Hmm)
- VV-DFC-1814 (1800W x 1400D x 750Hmm)

- VV-DFC-1215 (1200W x 1500D x 750Hmm)
- VV-DFC-1315 (1300W x 1500D x 750Hmm)
- VV-DFC-1415 (1400W x 1500D x 750Hmm)
- VV-DFC-1515 (1500W x 1500D x 750Hmm)
- VV-DFC-1615 (1600W x 1500D x 750Hmm)
- VV-DFC-1815 (1800W x 1500D x 750Hmm)

- VV-DFC-1216 (1200W x 1600D x 750Hmm)
- VV-DFC-1316 (1300W x 1600D x 750Hmm)
- VV-DFC-1416 (1400W x 1600D x 750Hmm)
- VV-DFC-1516 (1500W x 1600D x 750Hmm)
- VV-DFC-1616 (1600W x 1600D x 750Hmm)
- VV-DFC-1816 (1800W x 1600D x 750Hmm)



MANAGER MAIN DESK

- VV-MD-14060 (1400W x 600D x 750Hmm)
- VV-MD-15060 (1500W x 600D x 750Hmm)
- VV-MD-16060 (1600W x 600D x 750Hmm)
- VV-MD-18060 (1800W x 600D x 750Hmm)
- VV-MD-20060 (2000W x 600D x 750Hmm)

- VV-MD-14070 (1400W x 700D x 750Hmm)
- VV-MD-15070 (1500W x 700D x 750Hmm)
- VV-MD-16070 (1600W x 700D x 750Hmm)
- VV-MD-18070 (1800W x 700D x 750Hmm)
- VV-MD-20070 (2000W x 700D x 750Hmm)

- VV-MD-14075 (1400W x 750D x 750Hmm)
- VV-MD-15075 (1500W x 750D x 750Hmm)
- VV-MD-16075 (1600W x 750D x 750Hmm)
- VV-MD-18075 (1800W x 750D x 750Hmm)
- VV-MD-20075 (2000W x 750D x 750Hmm)

- VV-MD-14080 (1400W x 800D x 750Hmm)
- VV-MD-15080 (1500W x 800D x 750Hmm)
- VV-MD-16080 (1600W x 800D x 750Hmm)
- VV-MD-18080 (1800W x 800D x 750Hmm)
- VV-MD-20080 (2000W x 800D x 750Hmm)

- VV-MD-15090 (1500W x 900D x 750Hmm)
- VV-MD-16090 (1600W x 900D x 750Hmm)
- VV-MD-18090 (1800W x 900D x 750Hmm)
- VV-MD-20090 (2000W x 900D x 750Hmm)

- VV-MD-18100 (1800W x 1000D x 750Hmm)
- VV-MD-20100 (2000W x 1000D x 750Hmm)

CONNECTING SIDE RETURN DESK

- VV-MDT-085 (800W x 500D x 750Hmm)
- VV-MDT-095 (900W x 500D x 750Hmm)
- VV-MDT-105 (1000W x 500D x 750Hmm)
- VV-MDT-115 (1100W x 500D x 750Hmm)
- VV-MDT-125 (1200W x 500D x 750Hmm)

- VV-MDT-086 (800W x 600D x 750Hmm)
- VV-MDT-096 (900W x 600D x 750Hmm)
- VV-MDT-106 (1000W x 600D x 750Hmm)
- VV-MDT-116 (1100W x 600D x 750Hmm)
- VV-MDT-126 (1200W x 600D x 750Hmm)

CONNECTING SIDE TOP W/ FIXED PEDESTAL

- VV-FGT-095 (900W x 500D x 750Hmm)
- VV-FGT-105 (1000W x 500D x 750Hmm)
- VV-FGT-115 (1100W x 500D x 750Hmm)
- VV-FGT-125 (1200W x 500D x 750Hmm)

- VV-FGT-096 (900W x 600D x 750Hmm)
- VV-FGT-106 (1000W x 600D x 750Hmm)
- VV-FGT-116 (1100W x 600D x 750Hmm)
- VV-FGT-126 (1200W x 600D x 750Hmm)

MFC MODESTY FRONT PANEL

- VV-MP-104 (1000W x 16D x 400Hmm)
- VV-MP-114 (1100W x 16D x 400Hmm)
- VV-MP-124 (1100W x 16D x 400Hmm)
- VV-MP-144 (1400W x 16D x 400Hmm)
- VV-MP-164 (1600W x 16D x 400Hmm)

MANAGER CONNECTING TYPE MAIN DESK

- VV-MDG-15060 (1500W x 600D x 750Hmm)
- VV-MDG-16060 (1600W x 600D x 750Hmm)
- VV-MDG-18060 (1800W x 600D x 750Hmm)
- VV-MDG-20060 (2000W x 600D x 750Hmm)

- VV-MDG-15070 (1500W x 700D x 750Hmm)
- VV-MDG-16070 (1600W x 700D x 750Hmm)
- VV-MDG-18070 (1800W x 700D x 750Hmm)
- VV-MDG-20070 (2000W x 700D x 750Hmm)

- VV-MDG-15075 (1500W x 750D x 750Hmm)
- VV-MDG-16075 (1600W x 750D x 750Hmm)
- VV-MDG-18075 (1800W x 750D x 750Hmm)
- VV-MDG-20075 (2000W x 750D x 750Hmm)

- VV-MDG-15080 (1500W x 800D x 750Hmm)
- VV-MDG-16080 (1600W x 800D x 750Hmm)
- VV-MDG-18080 (1800W x 800D x 750Hmm)
- VV-MDG-20080 (2000W x 800D x 750Hmm)

- VV-MDG-15090 (1500W x 900D x 750Hmm)
- VV-MDG-16090 (1600W x 900D x 750Hmm)
- VV-MDG-18090 (1800W x 900D x 750Hmm)
- VV-MDG-20090 (2000W x 900D x 750Hmm)

CONNECTING SIDE CABINET

- HFG-01 (1800W x 550D x 630Hmm)
- HFG-02 (1800W x 550D x 630Hmm)
- HFG-03 (1800W x 550D x 630Hmm)
- HFG-04 (1800W x 550D x 630Hmm)



CONFERENCE TABLE

- VV-MT-18090 (1800W x 900D x 750Hmm)
- VV-MT-20090 (2000W x 900D x 750Hmm)
- VV-MT-22090 (2200W x 900D x 750Hmm)

- VV-MT-18100 (1800W x 1000D x 750Hmm)
- VV-MT-20100 (2000W x 1000D x 750Hmm)
- VV-MT-22100 (2200W x 1000D x 750Hmm)
- VV-MT-24100 (2400W x 1000D x 750Hmm)

- VV-MT-20120 (2000W x 1200D x 750Hmm)
- VV-MT-22120 (2200W x 1200D x 750Hmm)
- VV-MT-24120 (2400W x 1200D x 750Hmm)
- VV-MT-28120 (2800W x 1200D x 750Hmm)
- VV-MT-30120 (3000W x 1200D x 750Hmm)
- VV-MT-32120 (3200W x 1200D x 750Hmm)
- VV-MT-36120 (3600W x 1200D x 750Hmm)

- VV-MT-28140 (2800W x 1400D x 750Hmm)
- VV-MT-30140 (3000W x 1400D x 750Hmm)
- VV-MT-32140 (3200W x 1400D x 750Hmm)
- VV-MT-36140 (3600W x 1400D x 750Hmm)
- VV-MT-40140 (4000W x 1400D x 750Hmm)
- VV-MT-42140 (4200W x 1400D x 750Hmm)
- VV-MT-45150 (4500W x 1400D x 750Hmm)

- VV-MT-48150 (4800W x 1500D x 750Hmm)
- VV-MT-54150 (5400W x 1500D x 750Hmm)
- VV-MT-60150 (6000W x 1500D x 750Hmm)

CONFERENCE TABLE ACCESSORIES

CABLE COVER:

- XH-05 (300W x 120D x 27Hmm) / (400W x 120D x 27Hmm)
- XH-06-3 (348W x 147D x 131Hmm)
- XH-06-4 (448W x 147D x 131Hmm)
- XH-06-5 (548W x 147D x 131Hmm)
- MZMS (400~600W x 125Dmm)

CABLE MANAGEMENT

- SXG (800H)
- ZXG (330W x 570Hmm) / (600W x 570Hmm)





HANGING OPEN SHELF WITH DRAWER

MODEL NO. : A-DG01
DIMENSION : 260W x 404D x 585Hmm



HANGING DRAWER

MODEL NO. : A-DDC01
DIMENSION : 260W x 404D x 185Hmm



MOBILE PEDESTAL WITH 1 DRAWER

MODEL NO. : A-HDG1
DIMENSION : 500W x 300D x 587Hmm



MOBILE PEDESTAL WITH 2 DRAWERS

MODEL NO. : A-HDG2
DIMENSION : 800W x 314D x 537Hmm



CUSHION TOP

MODEL NO. : A-CU
DIMENSION : 308W x 235D x 47Hmm



SIDE PANEL

MODEL NO. : A-CZP01
DIMENSION : 550W x 166D x 400Hmm



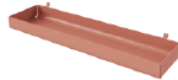
SIDE PANEL (ACRYLIC)

MODEL NO. : A-FJ08
DIMENSION : 220W x 150D x 150Hmm



PEN HOLDER

MODEL NO. : A-FJ01
DIMENSION : 75W x 80D x 87Hmm



PEN TRAY

MODEL NO. : A-FJ02
DIMENSION : 308W x 85D x 32Hmm



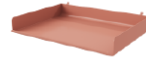
HOOK

MODEL NO. : A-FJ03
DIMENSION : 30W x 45D x 67Hmm



SINGLE LAYER HANGING SHELF

MODEL NO. : A-FJ05
DIMENSION : 308W x 88Dx 257Hmm



FILE TRAY

MODEL NO. : A-FJ06
DIMENSION : 308W x 235D x 47Hmm



DOUBLE LAYERS HANGING SHELF

MODEL NO. : A-FJ07
DIMENSION : 225W x 85D x 257Hmm



U -SHAPE BOOKSHELF

MODEL NO. : A-FJ08
DIMENSION : 220W x 150D x 150Hmm



FUNCTIONAL DESKTOP PANEL

MODEL NO. : A-ZXZP5
DIMENSION : 881W x 218D x 400Hmm



FUNCTIONAL DESKTOP PANEL

MODEL NO. : A-ZXZP3
DIMENSION : 1225W x 218D x 400Hmm



FUNCTIONAL DESKTOP PANEL

MODEL NO. : A-ZXZP1
DIMENSION : 1570W x 218D x 400Hmm



www.offmax.com.hk

offmax Offmax Limited 奧美斯傢具有限公司
Offmax Supplies Co., Ltd 奧美斯洋行

Hong Kong Head Office / Showroom* 香港總辦事處 / 展廳
10/F, North Point Industrial Building, 499 King's Road, North Point, Hong Kong
香港北角英皇道499號北角工業大廈10樓
Tel 電話: (852) 2838 3830 Fax 傳真: (852) 2553 0088
Email 電郵: enquiry@offmax.com.hk

*Please make appointment before visiting our showroom
*如欲參觀，敬希預約

Shanghai Sales Office 上海辦公室
Tel 電話: (86) 021-6167 3668

All rights reserved. Any reproduction or modification in any form or by any means without prior written permission is illegal and strictly prohibited.
本冊版權為奧美斯所有，未經書面同意，任何單位或個人不得以任何方式或理由使用、複製、修改、抄錄或傳佈圖冊內述的任何部分。

With continuous product development, design and specification are subjected to possible modification without prior notice.
為不斷改良產品質量，設計及規格日後若有更改，恕不另外通知。

